



# newterra™

smart technology. sustainable solutions.™

## PFA SERIES – PIPE FLOCCULATOR ASSEMBLIES

### Application:

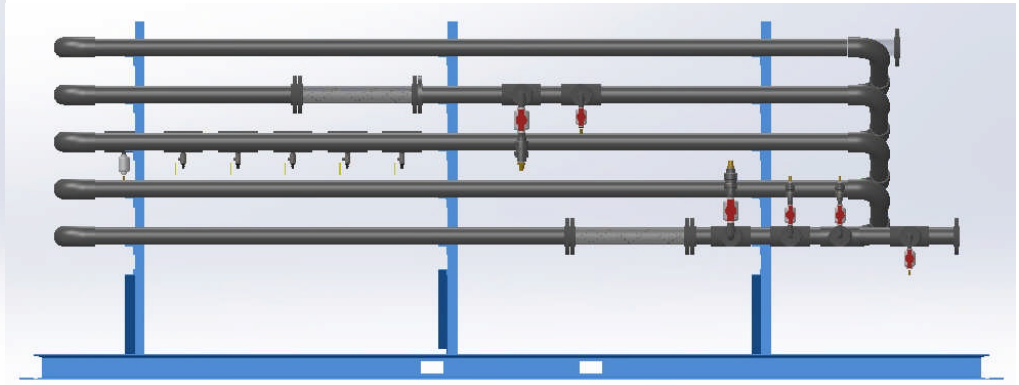
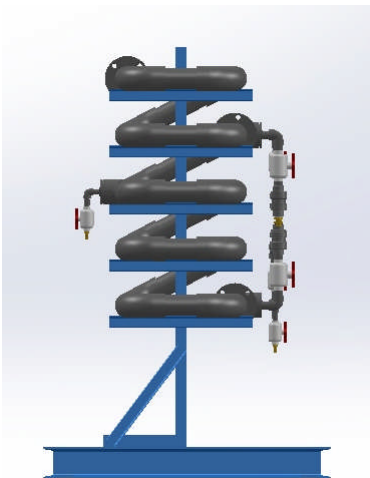
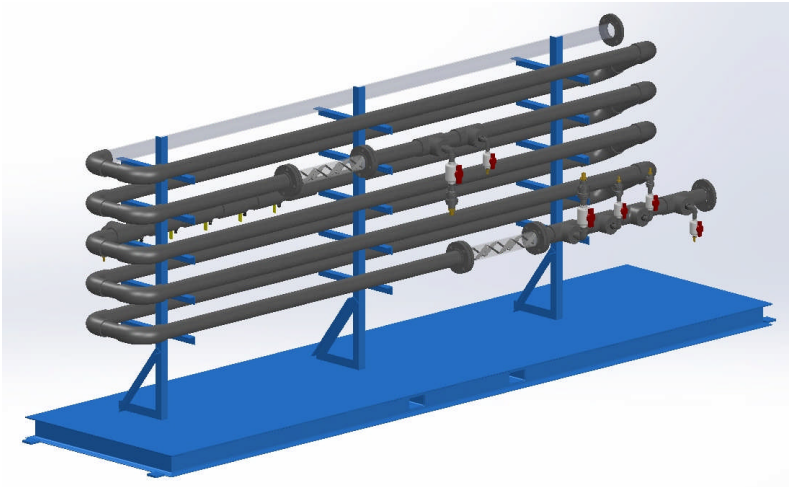
**newterra** PFA series pipe flocculator assemblies are designed specifically for dosing chemicals into a continuous flow of water to be used upstream of clarifiers, ponds, settling tanks, indexing filters and roll-off box filters.

Various chemicals can be injected to coagulate and flocculate suspended solids, oxidize and precipitate metals, and adjust pH.

Pipe flocculators offer a cost effective solutions with a smaller footprint and less moving parts than a traditional mixing tank system for chemical treatment.

### Construction:

These pipe flocculators can be fabricated from PVC, carbon steel and stainless steel. Other materials are available for special applications.



### Standard Features:

- **Pre-assembled Factory Tested Package:** **newterra** understands importance of a quick and simple on site installation and integration. Our assemblies are prebuilt and tested to reduce setup and installation time on site .
- **Static Mixer:** Our pipe flocculators incorporate a high shear static mixer for mixing of chemicals for oxidation, coagulation and pH adjustment.
- **Flocculant Mixer:** We have a location for dosing flocculants to provide a low shear mixing to flocculate the solids without breaking up the polymer and shearing the floc.
- **Floc Viewing Pipe:** On our PVC pipe flocculators we incorporate a removable clear PVC section which allows the operator to view the floc as it is flowing through the pipe.
- **Sample Ports:** Our pipe flocculators include sample ports on inlet out let and at chemical dosing locations.

1325 California Avenue • P.O. Box 1517 • Brockville, ON • K6V 5Y6 • T: 800.420.4056 • F: 613.345.7633

Toronto • Brockville • Calgary • Montreal • Boston • Tampa • Macon • Seattle • Frankfurt

[newterra.com](http://newterra.com)



**newterra™**

smart technology. sustainable solutions.™

## PFA SERIES – PIPE FLOCCULATOR ASSEMBLIES

### Dimensions and Specifications Chart:

Part Number	Nominal Flow	Assembly Length	Assembly Width	Assembly Height
PFA-1-10	10 gpm	7 ft	2 ft	6 ft
PFA-1.5-20	20 gpm	8 ft	2.5 ft	6 ft
PFA-2-40	40 gpm	9 ft	3 ft	6 ft
PFA-3-100	100 gpm	16 ft	4 ft	6 ft
PFA-4-200	200 gpm	18 ft	6 ft	6 ft
PFA-6-500	500 gpm	18 ft	6 ft	7 ft
PFA-8-650	650 gpm	18 ft	6 ft	7.5 ft
PFA-10-1000	1000 gpm	19 ft	6.5 ft	8 ft

### Optional Features:

- **Control Panel:** A control panel can be integrated with a pipe flocculator to control chemical dosing, pump operation, monitor pH, datalog values as required.
- **pH Transmitter:** Fittings can be provided along with a pH transmitter for measurement of pH.
- **Transfer Pump:** A transfer pump can be provided and controlled to transfer water flow through the pipe flocculator.
- **Flow Meter:** A flow meter can be included to measure flow for datalogging or to allow for adjustment of pH.
- **Flow Switch:** A flow switch could be installed for proof of flow to trigger the dosing of chemicals.