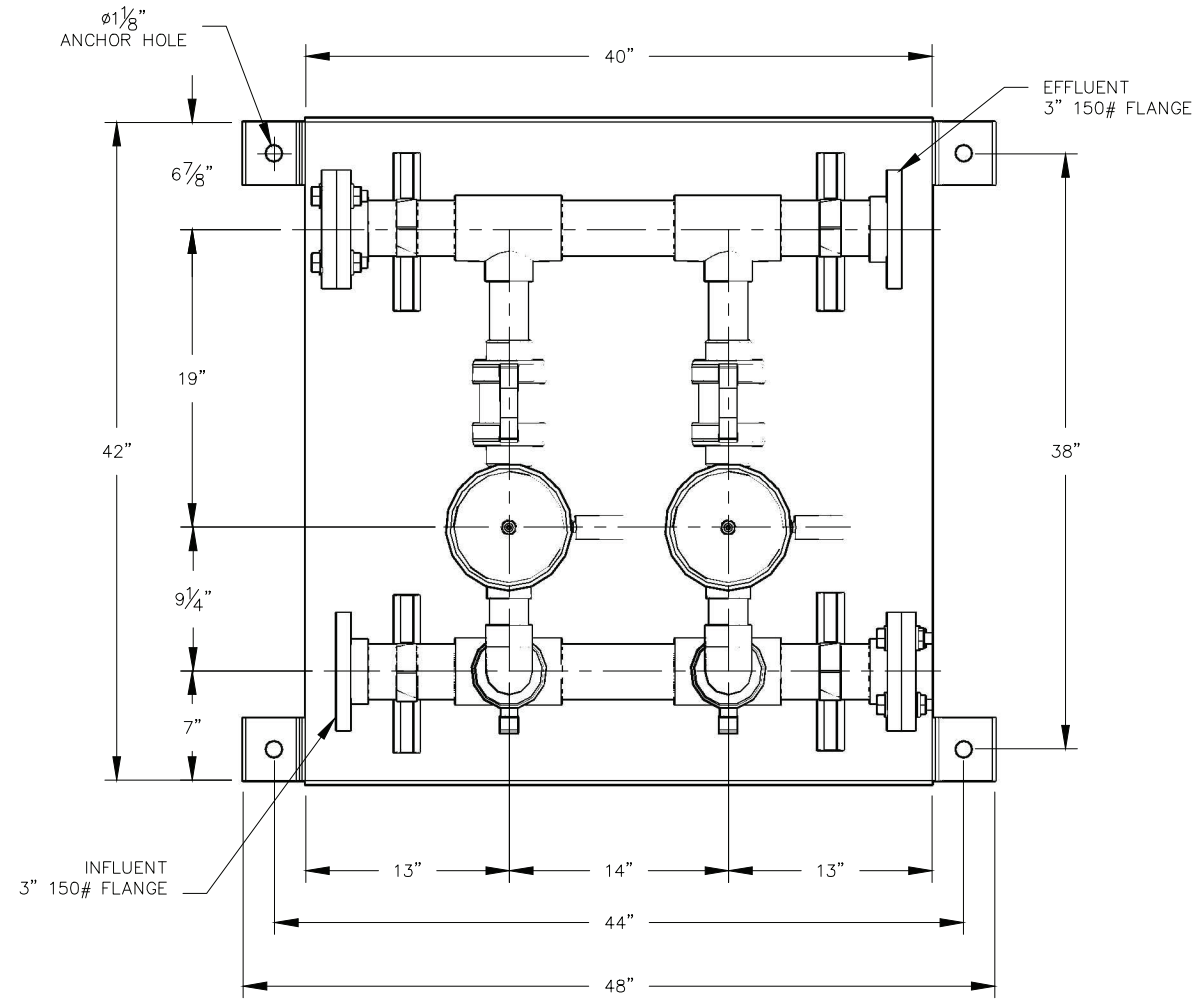


ELEVATION




PLAN

MATERIALS OF CONSTRUCTION:

- BAG FILTERS – 304L STAINLESS STEEL
- PIPE – SCH 80 PVC
- BALL VALVES – PVC TRUE-UNION BALL
- SKID – SA-36 WELDED STEEL (PAINTED)
- PRESSURE GAGE – 0-60 PSIG
- HARDWARE – ASTM A307 Gr. B (PLATED)

PROJECT	
DUPLEX BAG FILTER SKID	
PROJ. NO.	SALES
P.O. NO.	
THIS DRAWING AND DESIGN ARE THE PROPERTY OF TIGGS CORP. AND SHALL NOT BE REPRODUCED IN WHOLE OR IN PART, NOR EMPLOYED FOR ANY PURPOSE OTHER THAN SPECIFICALLY PERMITTED IN WRITING BY TIGGS CORP. THIS DRAWING IS LOANED SUBJECT TO RETURN ON DEMAND.	
DRAWN BY	JAK
DESIGN BY	JB
CHKD. BY	JL
DATE	10/28/2013
SCALE	NTS

NO.	REVISION	BY	DATE



PLAN & ELEVATION

DWG. NO.	DBFS-1001	REV.	0
----------	-----------	------	---