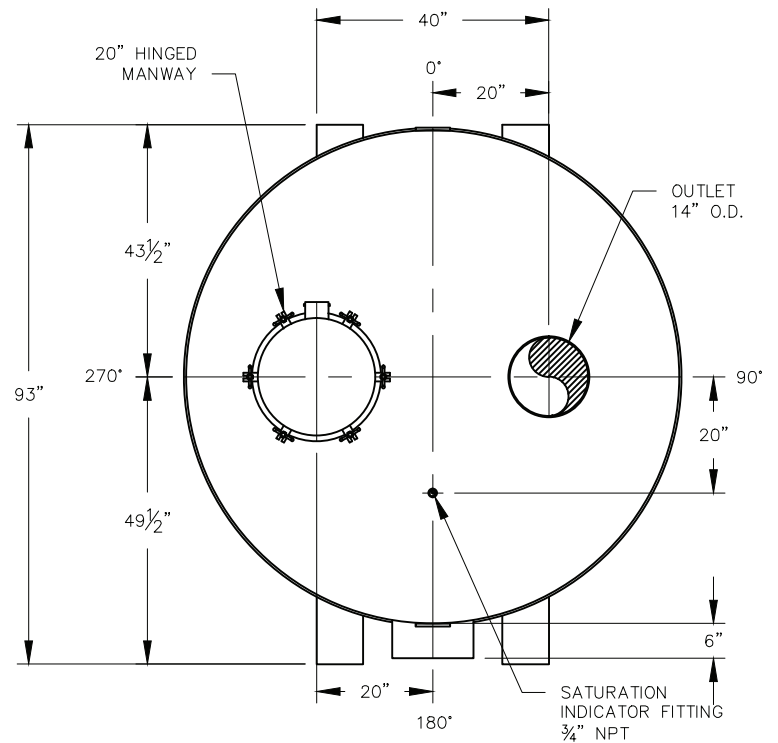


ELEVATION



PLAN

* STAINLESS STEEL BED RETENTION PLATE.
140°F WITH PE PLATE

VESSEL STANDARDS

VESSEL MATERIALS : SA-36	VESSEL ACCESS : 20" HINGED MANWAY
LINING : EPOXY	LIQUID DRAIN ASSEMBLY : 1" NPT W/ HDPE PLUG
EXTERIOR PAINT : EPOXY BASE W/ URETHANE TOP COAT	MAX. MEDIA FILL : 203 FT ³
HEAD THICKNESS : 3/16" NOM.	SHIP WT. EMPTY : 2750 LBS
SHELL THICKNESS : 1/4" NOM.	MAX. OPERATING PRESSURE : 15 PSIG
INTERNALS : STAINLESS STEEL PLENUM	MAX. OPERATING TEMPERATURE. : 180°F

2	ADD LIFT LUGS	CB	4/28/11
1	UPDATE VESSEL STANDARDS	JB	8/24/10
NO.	REVISION	BY	DATE
PROJECT		N-4000-PDB	
PROJ. NO.	SALES		
P.O. NO.			
THIS DRAWING AND DESIGN ARE THE PROPERTY OF TGS CORP. AND SHALL NOT BE REPRODUCED IN WHOLE OR IN PART, NOR EMPLOYED FOR ANY PURPOSE OTHER THAN SPECIFICALLY PERMITTED IN WRITING BY TGS CORP. THIS DRAWING LOANED SUBJECT TO RETURN ON DEMAND.			
DRAWN BY	JB		
DESIGN BY	BB		
CHKD. BY	BB		
DATE	9/6/06		
SCALE	NTS		
		PLAN & ELEVATION	
		N-4000-PDB-1001	REV. 2